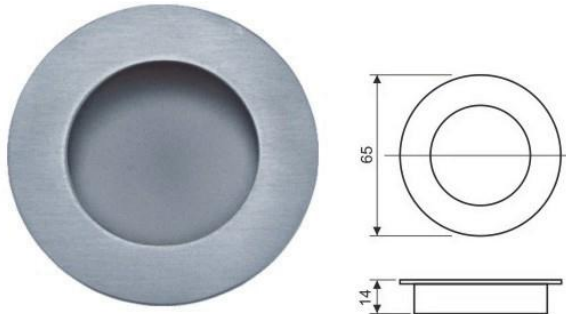


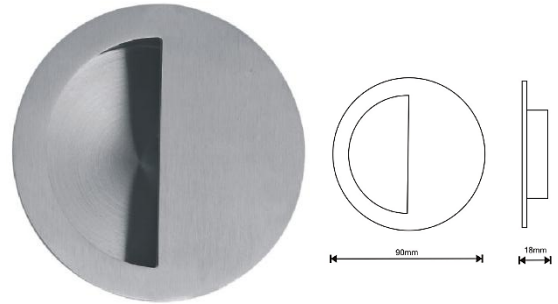
# Flush Pull

ACCESSORIES



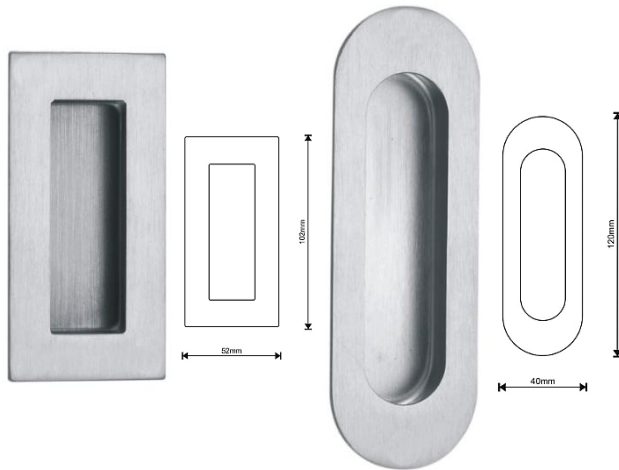
REF: FE42010

Reference	Specification	Material
FE42010/1	Dia.40x35x 12mm	Stainless Steel
FE42010/2	Dia.40x35x 12mm	
FE42010/3	Dia.40x35x 12mm	



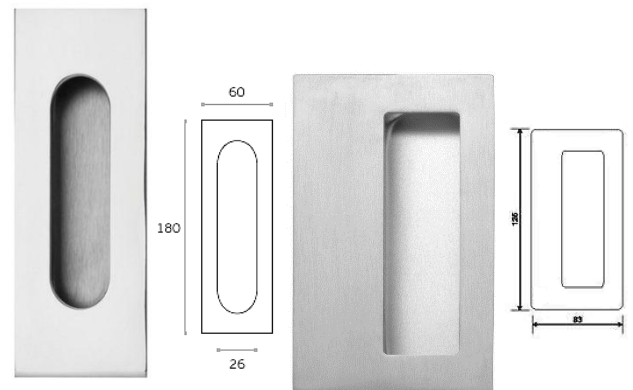
REF: FE42020

Reference	Specification	Material
FE42020/1	Dia.40x35x 12mm	Stainless Steel
FE42020/2	Dia.50 x 40 x 14mm	
FE42020/3	Dia.65x50x 14mm	
FE42020/4	Dia.90x70x 21mm	



REF: FE42030 & FE42040

Reference	Specification	Remark	Material
FE42030/1	120x 40mm	Round	Stainless Steel
FE42030/2	180x 60mm	Round	
FE42040/1	102x 51mm	Square	
FE42040/2	120x 50mm	Square	
FE42040/3	150x 50mm	Square	



REF: FE42041 & FE2042

Reference	Specification	Remark	Material
FE42041/1	120x 50mm	Square	Stainless Steel
FE42041/2	150x 50mm	Square	
FE42041/3	180x 60mm	Square	
FE42042/1	125x 83mm	Square	